



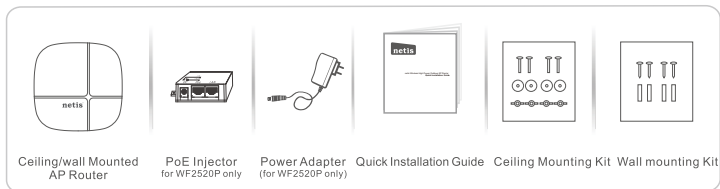
netis Wireless High Power Ceiling/Wall Mounted Outdoor AP Router
Quick Installation Guide



Model No. **WF2520P**
WF2520

1.Package Contents

The following items should be found in your package:



Please make sure that the package contains above items, if any of the listed items are damaged or missing, please contact your distributor.

* This QIG is for all netis Wireless High Power Ceiling/Wall mounted AP Router, including models as below

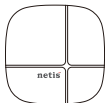
WF2520P: This device supports both Passive PoE and regular Power adapter(DC24V/0.5A).

You may use either one as power source.

WF2520: This device only supports IEEE802.3af/at PoE.

2.Hardware Connection

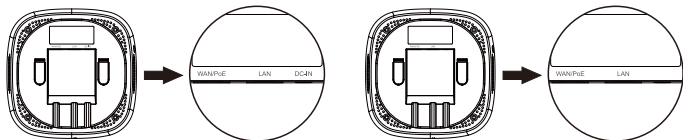
* Top Cover of Product



* LED Indicator

LED	Color	Mode	Status
SYSTEM	Red	Solid Red	Power ON and system is booting
		Off	After system boot finished
		Fast Blinking	When firmware is upgrading
		Slow Blinking	WiFi disabled
WLAN	Blue	Solid Blue	After system boot finished and no wireless data is being transmitted
		Blinking	There is wireless data being transmitted

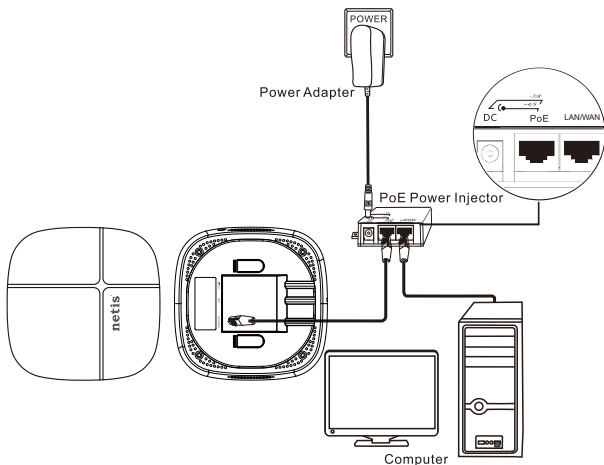
* I/O of Bottom Cover



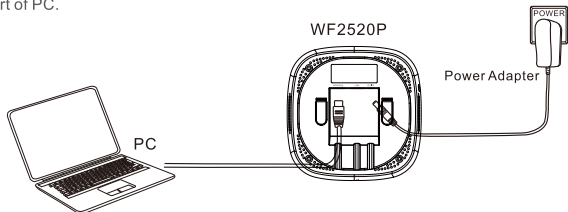
There is no "DC-IN" on WF2520

1) WF2520P (Power source:PoE)

- A) Connect one end of the Ethernet cable into the WAN/PoE port of the device and the other end to the PoE port of the PoE injector.
- B) Connect the Power Adapter to DC-in port of the PoE injector and plug the other end to wall outlet.
- C) Connect the Ethernet cable into LAN/WAN port of PoE injector and the other end to the Ethernet port of the PC.

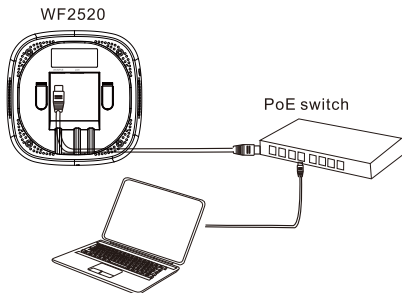
**2) WF2520P(Power source:DC-IN)**

- A) Connect the power adapter to DC-IN port of the device and plug the other end to wall outlet;
- B) Connect the Ethernet cable into WAN/PoE port of the device and the other end to the Ethernet port of PC.



3) WF2520 (Power source:PoE switch)

- A) Connect one end of the Ethernet cable into the WAN/PoE port of the device and the other end to the Ethernet port of PoE switch.
- B) Connect one end of the Ethernet cable into an Ethernet port of the PoE switch and the other end to the Ethernet port of PC.



3. Configure the AP Router via Web Management Page

This device works in AP mode by default, so if you are intend to change the working mode or any settings, please connect your computer to WAN/PoE or LAN Port of AP and set a static IP for you computer as below steps:

3.1 Set a Static IP for PC

Manually set the IP address of the wired network adapter on your computer as below.

IP Address/ IPv4 Address: 192.168.1.x (1<x<255)

Subnet Mask: 255.255.255.0

Default Gateway/ Router: 192.168.1.1

For Windows 8/ 7/Vista

- 1) Go to "**Settings**" (for Windows 8)/"**Start**" (for Windows 7/Vista) > "**Control Panel**".
- 2) Left-click on "**Network and Internet**" > "**Network and Sharing Center**" > "**Change adapter settings**" (for Windows 8/ 7)/"**Manage network connections**" (for Windows Vista).
- 3) Right-click on "**Local Area Connection**" and left-click on "**Properties**".
- 4) Double-click on "**Internet Protocol Version 4 (TCP/IPv4)**".
- 5) Select "**Use the following IP address**" then left-click on "**OK**".

For Windows XP/2000

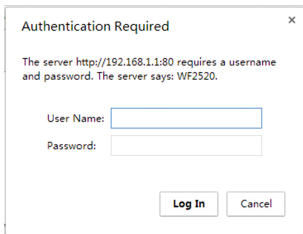
- 1) Go to "**Start**" > "**Control Panel**".
- 2) Left-click on "**Network and Internet Connections**" > "**Network Connections**".
- 3) Right-click on "**Local Area Connection**" and left-click on "**Properties**".
- 4) Double-click on "**Internet Protocol (TCP/IP)**".
- 5) Select "**Use the following IP address**" then left-click on "**OK**".

For MAC OS

- 1) Click on the "**Apple**" menu > "**System Preferences**".
- 2) Click on the "**Network**" icon.
- 3) Click on "Ethernet" in the left side box and click on "**Advanced**" in the lower right corner.
- 4) In the top options, select "**TCP/IP**".
- 5) In the pull-down menu next to "**Configure IPv4**" select "**Manually**".
- 6) Fill in the "**IPv4 Address/Subnet Mask/Router**" parameters, and click "**OK**" then "**Apply**".

3.2 Open your browser and type `http://192.168.1.1` in the address field to visit router's web management page.

3.3 A dialog box will prompt as below, please enter User Name and Password, both default values are guest and click OK.



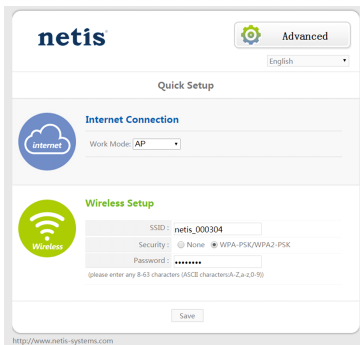
Authentication Required ✕

The server `http://192.168.1.1:80` requires a username and password. The server says: WF2520.

User Name:

Password:

Note: The configuration includes "Internet Connection" and "Wireless Setup", if you choose "AP", please go to **Wireless Setup**.



netis Advanced

English

Quick Setup

Internet Connection

Work Mode: AP

Wireless Setup

SSID: netis_000304

Security: None WPA-PSK/WPA2-PSK

Password:

(please enter any 8-63 characters (ASCII characters A-Z,a-z,0-9))

Save

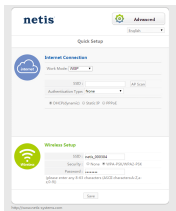
<http://www.netis-systems.com>

AP Router Mode	
Select the correct Connection Type.	
PPPoE	Select "PPPoE" when:
Type in the Username & Password provided by the ISP.	<ol style="list-style-type: none"> 1. The device is connected to a DSL or Cable pure modem. 2. Got username & password from ISP. 3. Broadband connection is needed on PC when bypassing This device.
DHCP (Dynamic IP)	Select "DHCP" when:
	<ol style="list-style-type: none"> 1. The device is connected to a Cable/DSL modem router. 2. Internet works directly on PC when bypassing this Device.
Static IP	Select "Static IP" when:
Type in all the IP Info.	<ol style="list-style-type: none"> 1. Got IP Address, Subnet Mask, Default Gateway, DNS Server from ISP.

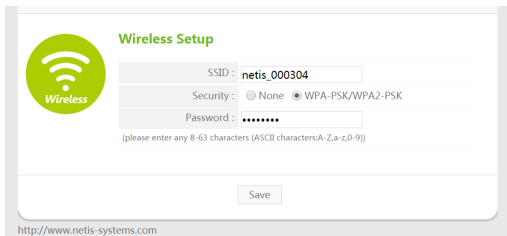
WISP Mode :

Select target network and Connection Type.

1. Click **"AP Scan"** button to select your target network and click **"Connect"** button.
2. Type in the wireless security info of the target network.
3. Select connection type. (Please refer to **"Internet Settings"** --> **"AP Router Mode"**)

**Wireless Setup**

Setup a wireless network name in **"SSID"** box, it is recommended to use WPA-PSK/WPA2-PSK for **"Security"** and set a wireless network key in the **"Password"** box, then click **"Save"** button.



Note: The DHCP Server will be disabled after switching to "AP" mode successfully, so you will have to set a static IP address for your PC first if you need to login to the web-based management page again.

3.4 The web management page will display after login successfully. Select the language as you need on the top box, default is in English.

3.5 When you completed the configuration, please remember to change the settings on your computer back to **'obtain an IP address automatically'** in the the same window as step 3.1.

4. Mounting the device

This device can be ceiling mounted or wall mounted according to your setup.

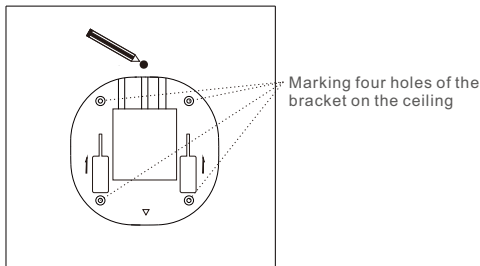
1. Ceiling Mounted

Attention: For ceiling mounted, we would suggest,

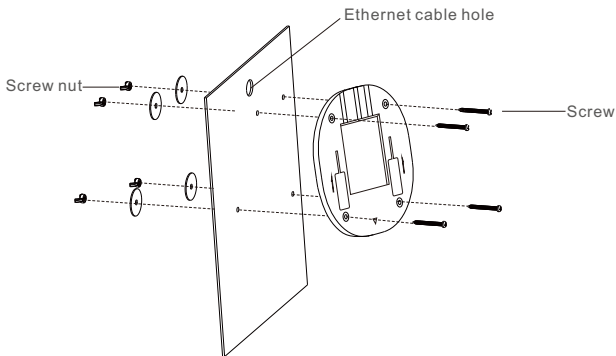
- (1) The thickness of ceiling must be over 17mm
- (2) The Weight-bearing of ceiling must be over 5kg.

If the ceiling do not meet the requirement as above, please add a plate on the back of the ceiling to strengthen the thickness and weight-bearing.

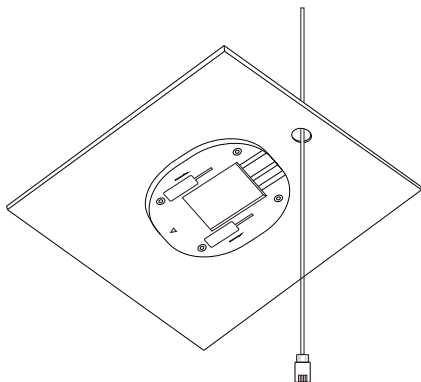
- 1) Remove the selected ceiling and place the mounting bracket on the suitable location of the ceiling. Marking four holes of the bracket on the ceiling and one hole for Ethernet cable which is 5cm in front of the U-shaped notch.



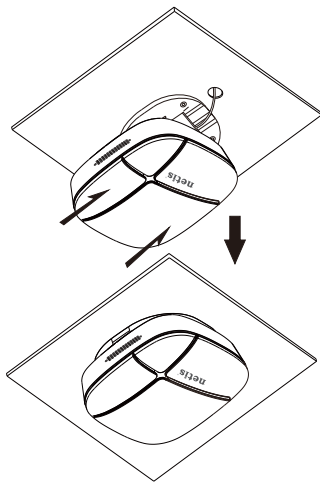
- 2) Drill four screw holes for fixing mounting bracket and one hole for Ethernet cable.
- 3) Attach the mounting bracket to the ceiling by using the provided mounting kit.



4) Connect the Ethernet cable to the WAN/PoE port of the device

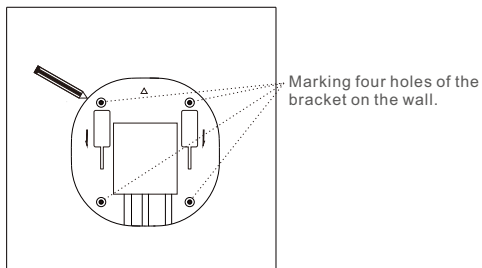


5) Reinstall the ceiling and mount the device by fixing the device to the slot of mounting bracket.

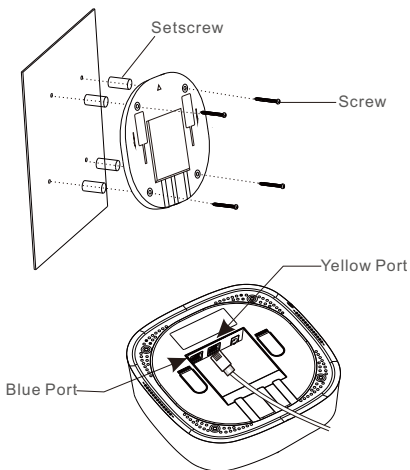


2 Wall Mout

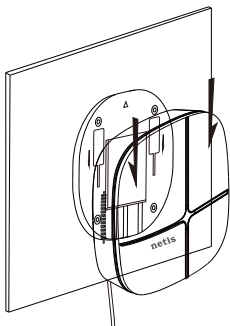
- 1) Place the mounting kit on the wall and mark four holes of the bracket on the wall, and then drill four holes on the wall. Please note that the U-shaped notch must be consistent with the actual direction of the network.



- 2) Attach the mounting bracket to the wall by using the provided mounting kit.
- 3) Connect the Ethernet cable to the WAN/PoE port of the device



4) Mounting the device by fixing the device to the slot of mounting brackets.



5. Troubleshooting

Q How do I restore my netis WF2520/WF2520P to default settings?

A With the router powered on, holding "RESET" button on the PoE injector or the device for 8s~10s with a pin to restore it to factory defaults.

Q What can I do if my Internet cannot be accessed?

- A**
- 1) Check to verify the hardware connections are correct. Please refer to the "Hardware Connection" step.
 - 2) Refer to 3.1) to set a Static IP address for your PC and connect the WF2520/WF2520P to your PC.
 - 3) Open a web browser and login to <http://192.168.1.1>
 - 4) Re-check your setting
 - 5) Reboot the modem first and then netis device. Wait for one minute before you check the Internet again.
 - 6) If Internet access is not available, please connect your computer directly to your modem and try the Internet again.

If the Internet is still not working, please contact your ISP for further help.

Appendix A: FCC Statement

Federal Communication Commission Interference Statement

This equipment has been tested and found to comply with the limits for a Class B digital device, pursuant to Part 15 of the FCC Rules. These limits are designed to provide reasonable protection against harmful interference in a residential installation. This equipment generates, uses and can radiate radio frequency energy and, if not installed and used in accordance with the instructions, may cause harmful interference to radio communications. However, there is no guarantee that interference will not occur in a particular installation. If this equipment does cause harmful interference to radio or television reception, which can be determined by turning the equipment off and on, the user is encouraged to try to correct the interference by one of the following measures:

- Reorient or relocate the receiving antenna.
- Increase the separation between the equipment and receiver.
- Connect the equipment into an outlet on a circuit different from that to which the receiver is connected.
- Consult the dealer or an experienced radio/TV technician for help.

FCC RF Radiation Exposure Statement:

1. The equipment complies with RF exposure limits set forth for an uncontrolled environment. The antenna(s) used for this transmitter must not be co-located or operating in conjunction with any other antenna or transmitter.
2. This equipment complies with FCC RF radiation exposure limits set forth for an uncontrolled environment.
3. This equipment should be installed and operated with a minimum distance of 20 centimeters between the radiator and your body.

FCC Caution: Any changes or modifications not expressly approved by the party responsible for compliance could void the user's authority to operate this equipment.

This device complies with Part 15 of the FCC Rules. Operation is subject to the following two conditions:

- (1) this device may not cause harmful interference and
- (2) this device must accept any interference received, including interference that may cause undesired operation

Technical Support:

USA/ Canada

Toll Free: +1 866 71 network (+1 866 716 3896)

E-mail: usa_support@netis-systems.com

Other Regions:

E-mail: support@netis-systems.com

NETIS SYSTEMS CO., LTD.

www.netis-systems.com

MADE IN CHINA